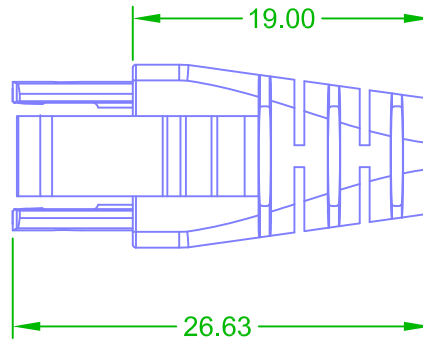
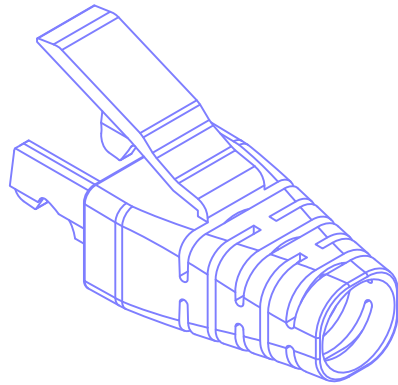
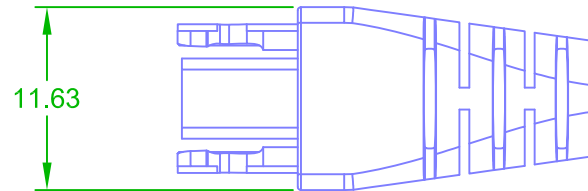
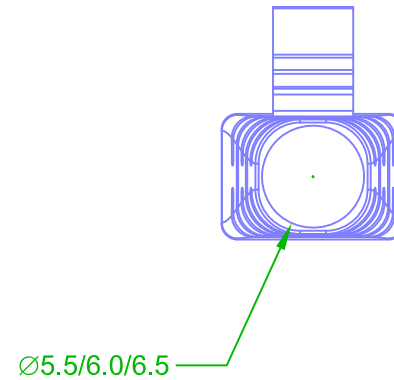
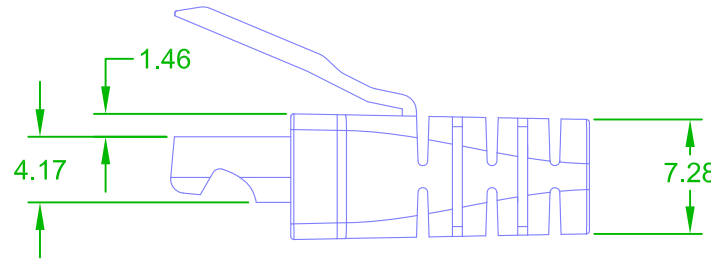
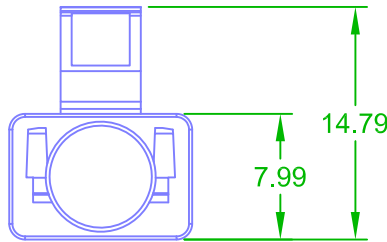


PMC Drawing Number:SR-032-F□□□□□



1. Material: PVC, UL94V-2, DEHP, DINP is less than 0.1%.
2. Color Available: RD=Red, OR=Orange, YL=Yellow, GN=Green, BL=Blue, PU=Purple, BK=Black, GY=Gray, WH=White, CR=Clear
3. Inner Diameter Available :5.5mm=55, 6.0mm=60, 6.5mm=65
4. Packaging Quantity: ⊙=1000pcs, ⊕=500pcs, ⊗=250pcs, ⊖= 200pcs, ⊘=100pcs, ⊗= 50pcs, ⊚= 25pcs, ⊛= 10pcs

SR-032-R□□□□□  
 — Packaging Quantity(S, T, U, V, W, X, Y, Z)  
 — Inner Diameter:(55, 60, 65)  
 — Color (RD, OR, YL, GN, BL, PU, BK, GY, WH, CR)



NOTE TOL:±0.1

B	2017.09.28. Rescheduling coding	3RD		Drawing	<i>Chidy</i>	Date	2015/12/14	Part.NO	SR-032 F
A	An initial version	Unit	m/m	Checked	<i>Chris</i>	Date	2015/12/14	Description	
Rev	Description	Scale	1:1	Approved	<i>Jason</i>	Date	2015/12/14	Plug Boot	



**Plug Master**  
 INDUSTRIAL CO.,LTD  
 www.plugmaster.com.tw